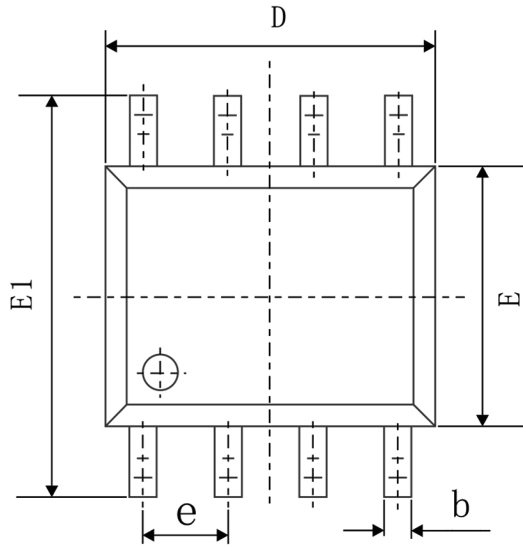
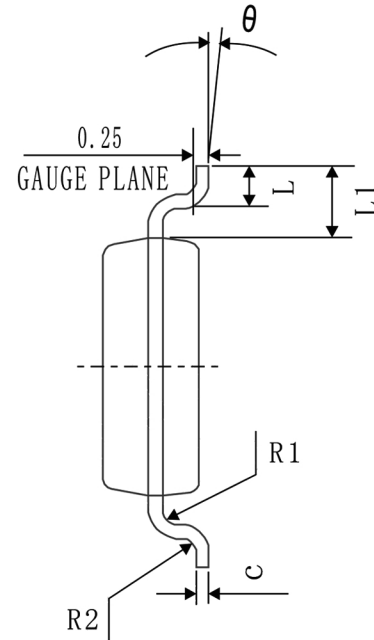


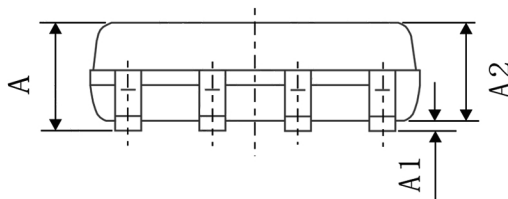
## SOP-8 PACKAGE OUTLINE



TOP VIEW



SIDE VIEW

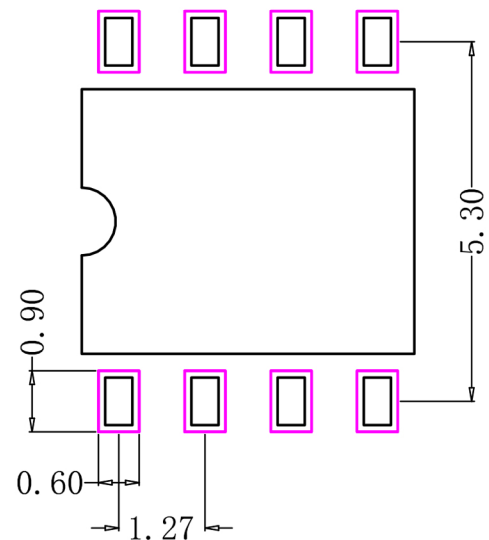


SIDE VIEW

## RECOMMENDED LAND PATTERN

(UNIT:mm)

SYMBOL	MIN	NOM	MAX
A	1.40	1.60	1.80
A1	0.05	0.15	0.25
A2	1.35	1.45	1.55
b	0.30	0.40	0.50
c	0.153	0.203	0.253
D	4.80	4.90	5.00
E	3.80	3.90	4.00
E1	5.80	6.00	6.20
L	0.45	0.70	1.00
$\theta$	2°	4°	6°
L1	1.04 REF		
e	1.27 BSC		
R1	0.07 TYP		
R2	0.07 TYP		



(UNIT:mm)

SCALE 10:1