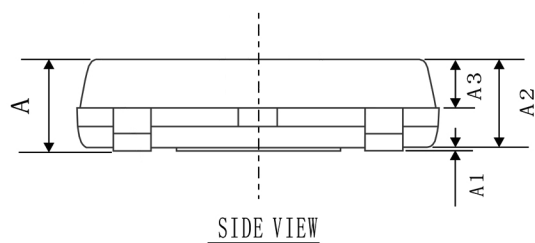
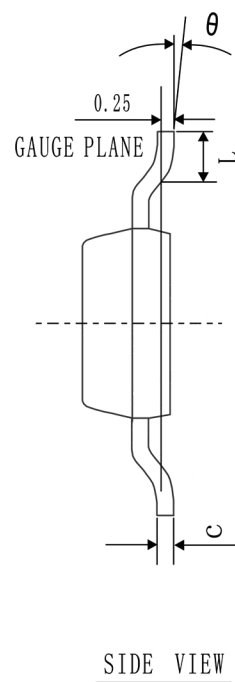
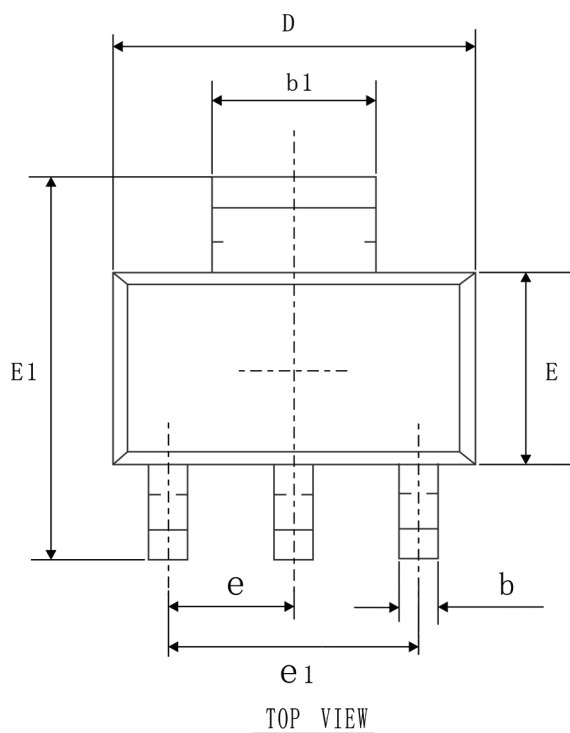
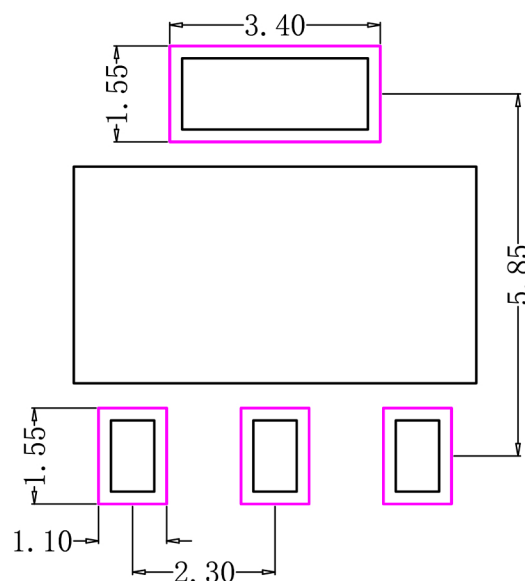


SOT-223 PACKAGE OUTLINE



RECOMMENDED LAND PATTERN (UNIT:mm)

SYMBOL	MIN	NOM	MAX
A	---	---	1.80
A1	0.00	0.05	0.10
A2	1.50	1.60	1.70
A3	0.85	0.90	0.95
b	0.66	0.70	0.80
b1	2.96	3.00	3.10
c	0.25	0.30	0.35
D	6.30	6.50	6.70
E	3.30	3.50	3.70
E1	6.80	7.00	7.20
e1	4.40	4.60	4.80
L	0.90	---	1.15
θ	0°	5°	10°
e	2.3 BSC		



(UNIT:mm)

SCALE 10:1