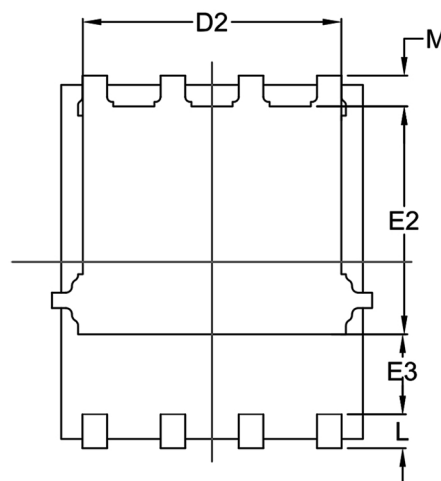
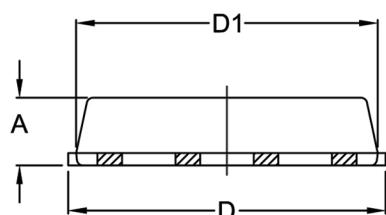
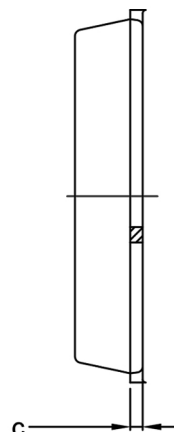
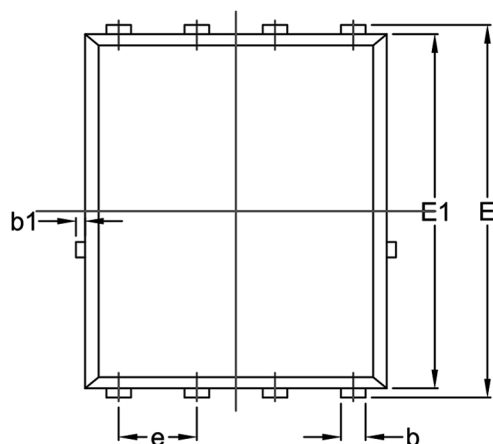


## DFN5\*6 PACKAGE OUTLINE

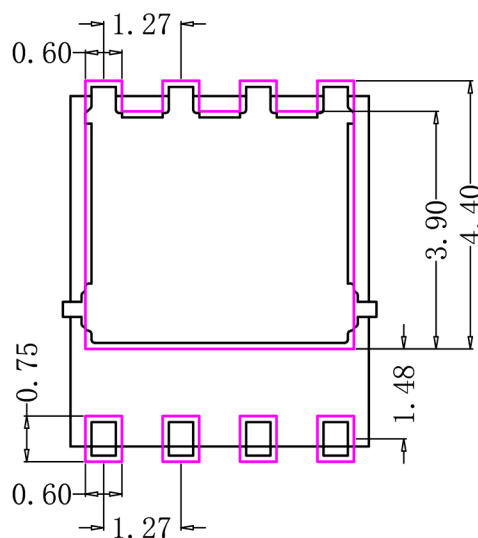


## RECOMMENDED LAND PATTERN

(UNIT:mm)

| DIM | MILLIMETERS |      |      |
|-----|-------------|------|------|
|     | MIN         | NOM  | MAX  |
| A   | 1.00        | 1.10 | 1.20 |
| b   | 0.30        | 0.40 | 0.50 |
| b1  | 0.02        | 0.15 | 0.22 |
| c   | 0.15        | 0.20 | 0.35 |
| D   | 4.95        | 5.15 | 5.35 |
| D1  | 4.80        | 4.90 | 5.00 |
| D2  | 4.00        | 4.20 | 4.40 |
| E   | 5.95        | 6.05 | 6.25 |
| E1  | 5.65        | 5.75 | 5.85 |
| E2  | 3.50        | 3.70 | 3.90 |
| E3  | 1.10        | /    | /    |
| e   | 1.27        |      |      |
| L   | 0.40        | 0.55 | 0.70 |
| M   | 0.35        | 0.50 | 0.65 |

(UNIT:mm)



SCALE 10:1